

STELLA

SURGICAL MICROSCOP



A Shining New Beacon in Multi-Disciplined Surgical Imaging



STELLA

“ A brilliant new era in surgical imaging technology is here. Stella promotes greater flexibility, performance, and affordability in vitreoretinal and cataract surgeries.

A multi-functional microscope, Stella brings to bear a suite of features that will enhance ophthalmic surgical precision, from a 10-way foot controlled motorized apochromatic optical system, easy adaptation of fundus viewing system as well as a host of video accessories, multiple interoperative viewing modes, as well as articulation and control features that make the microscope nimbler and more responsive to eye surgery needs. ”



PRECISE FUNCTIONALITY AT EVERY TURN



“Stella provides ophthalmologists a waterproof foot control (10-way) that will effortlessly drive X, Y, and Z motors alongside mag change and light intensity adjustment functions. Conveniently housed in the arm system is an IR and UV safe LED (5700 kelvin) that will provide cool, crisp white illumination for more comfortable, accurate and safe practice.

Unlike other cylindrical columns, Stella’s novel triangular column system will pivot with the arm, distributing weight more evenly while maintaining a near perfect center of gravity for vibration free operation. With Stella’s standard F=200mm objective lens, working distance is optimized for vitreoretinal surgery with fantastic depth of field. A F=175mm optional objective and wide field eyepieces with superior eye relief make the system ideal for vitreoretinal procedures.

An adjustable assistant viewer bridge provides for seamless co-observation of procedures, ensuring surgeon and assistant vision is in sync.

”

Select between daylight, blue barrier (yellow filter), uorescein excitation (cobalt blue), vascular identification (green filter), anti-glare (two spot diaphragm) and retinal protection interoperative viewing modes. Co-axial red reflex can also be engaged with the tip of a switch, ensuring consistent and optimal image contrast for cataract surgery.



Magnification change is easily achieved thanks to an intuitive foot control function, enabling quick toggling. Stella's EZtilt tilting carrier articulates the microscope $\pm 180^\circ$ on axis, enabling a change in transmitted light angle to improve patient comfort.



“My operatory always had ceiling mounted microscopes to in order to reduce vibration to my optics. Stella’s new floor stand concept totally eliminates vibration, is so well balanced, and is a breeze to move around.”



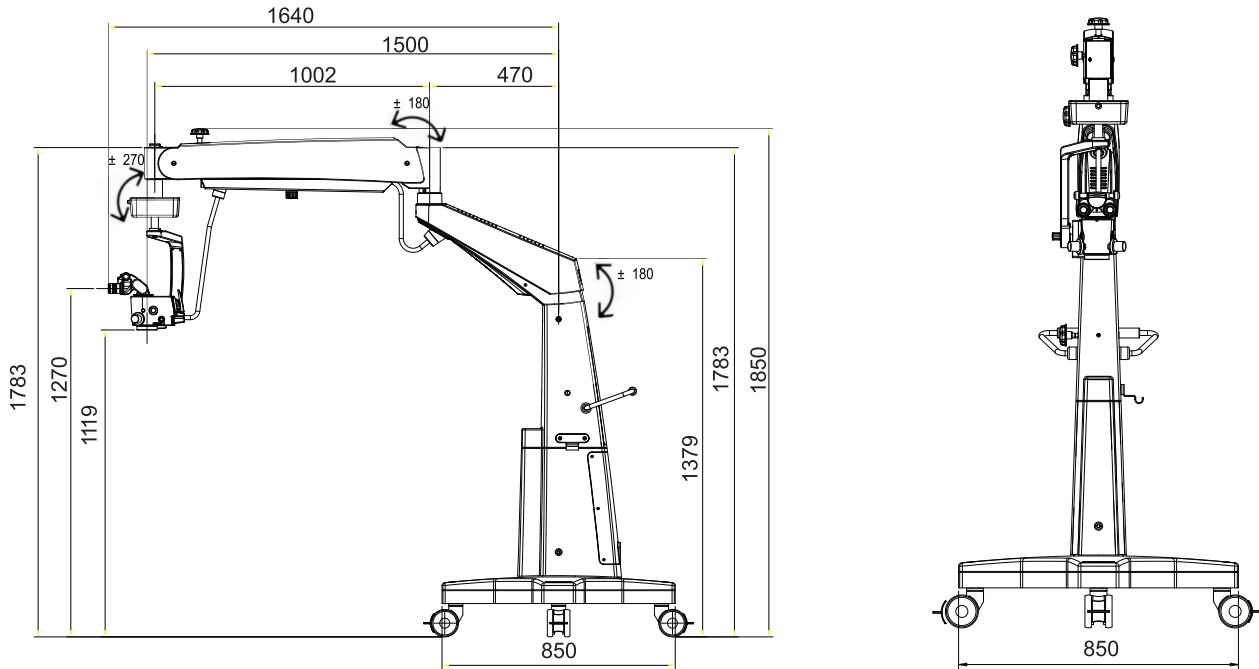
CLEVER DESIGN ENHANCES MODULARITY AND SAFETY



A smooth, noise free motor drive will seamlessly transition the optical head in X, Y, and Z axes, enabling scanning of ocular anatomy with a high degree of sensitivity. Quickly reset XYZ center back to factory settings with the push of a button. A host of accessories are available from our ProLine series including beam splitters, DSLR camera adapters for all major makes and models, smart phone adapters, and an assistant viewer bridge for co-observation. With the addition to our Stella VESA mount, operators can add an HD monitor to the microscopes arm for live streaming and image preview.

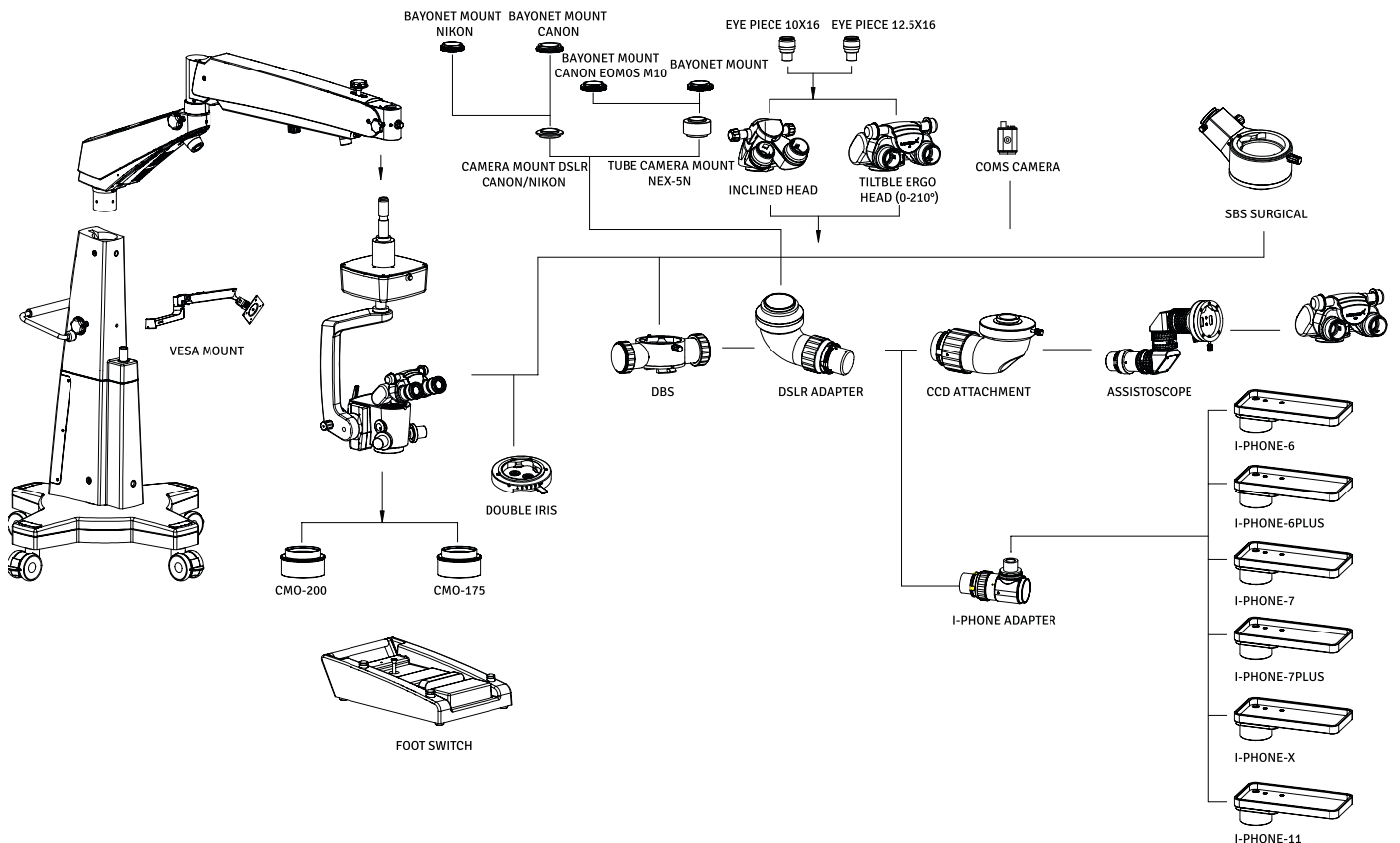
For wide angle observation in vitreoretinal procedures, add a fundus viewing system to Stella's package. Stella's arm height can be limited with the rotation of a safety stop knob, keeping the arm from descending below a pre-set point, thus avoiding risk of injury to the patient.





All dimensions in mm

SYSTEM DIAGRAM



STELLA

Stand	Robust, vibration free stand on cross base with four lockable castors
Observation tubes:	Standard: 0-210° Binocular tilt able head F=140mm configured with Double beam splitter & Double Iris attachment for depth of field management
Stereo Base:	24mm
Eyepieces:	Standard: WF 10X/18mm with eye guards Option: WF 12.5X/18mm with eye guards
Dioptre Adjustment:	±5mm
Magnichanger:	MaxLite coated, Apochromatic, motorized stepper zoom system (Tiltable and auto locked at any position) Motorized 5 steps: 0.4X, 0.6X, 1.0X, 1.6X, 2.5X
Objective:	Standard: f=200mm, Optional: f=175mm
FOV diameter:	64.30mm–10.30mm
Magnification Range:	2.80X–17.50X
Illumination eld diameter:	55mm
Fine focus:	Range 40mm, motorized noise free
XY Travel:	50 X 50mm with auto reset
Light source:	UV & IR free 50W LED
LUX:	60K
Maximum Wattage:	200Watts
Colortemperature:	5700k
Built-in lters:	Flip in/out blue blocking (yellow), Green & Blue filter
Optional accessories:	Assistant binocular attachment, Proline range of camera adapters, Smart phone adapters
Swivel Arm:	470mm
Suspension Arm:	1000mm
Swivel Arm rotation:	±180°
Suspension Arm rotational:	±180°
X-Y rotation:	270°
Vertical movement of suspension arm:	±300mm

SPECIFICATIONS



Foot Switch:	10 function wired foot switch for xyz, magchanger & intensity control
Max. Suspension load:	12kg
Base diameter:	850mm
Base & column weight:	170kg
Arm Weight:	24.5kg
X-Y, magchanger, head weight:	8.7kg
Total height:	1880mm
Maximum extension of arm:	1620mm

Labomed Europe b.v.

Essebaan 50
2908 LK Capelle aan den IJssel
The Netherlands
info@labomedeurope.com
Tel: +31(0)10-4584222
Fax: +31(0)10-4508251

www.labomedeurope.com



With a policy of continuous development, Labo America, Inc. reserves the right to change design and specifications without prior notice.



6219100-796/EU/E/ 1.0 010221
© Labo America, Inc. All rights reserved.

Authorized Sales Partner:



HEAD OFFICE

MEX ENTERPRISES
ISO 13485 :2016 & ISO 9001 :2015 Certified Company
Plot No. 50/1B-50/2B, Rajharsh Colony, Near CI Square Shopping Mall, Kolar Road, Bhopal, M.P India-462042

DELHI SALES OFFICE

MEX ENTERPRISES
ISO 13485 :2016 & ISO 9001 :2015 Certified Company
Building Name - Classic's, T-1895/1, Upper Ridge Road, Karol Bagh, New Delhi India- 110005

RAIPUR SALES OFFICE

MEX ENTERPRISES
ISO 13485 :2016 & ISO 9001 :2015 Certified Company
House No.-10/806, ShivanandNagar, Jhanda Chowk, Raipur Chhattisgarh India-492008

Ph.: +91 755 4256391, +91 9302778762, +91 9111429222, Email: info@mediequipbazar.com, export@mediequipbazar.com
Website: www.mediequipbazar.com